

4-20 mA Output



GA500
Remote Mount



GA510
Local Mount

The GA500 is a remote mount 4-20 mA Output Transmitter without display.

Choose the GA510 when a local mount is needed on the G2 series.

Choose the G7 when a local mount is needed on the OM series.

Choose the 7 when a local mount is needed on the G series.

GA500/GA510 – SPECIFICATIONS

Accuracy:	± 0.1% of reading
Output Options:	
Primary Output:	Loop (4-20 mA or 0-20 mA)
Minimum:	1.5 mA
Maximum:	25 mA
Auxiliary Outputs 0-5 V:	Single Ended
Minimum:	0.1 V
Maximum:	4.9 V
Pulse-Out:	
Max. "OFF" Voltage:	60 V
Max. "ON" Current:	200 mA
Max. "ON" Voltage Drop:	< 0.5 V @ 200 mA
Electrical:	
Strain Relief:	Hubble PG7
Strain Relief Thread:	Female 1/2-20 UNF-2B
Cable:	<i>Remote:</i> Belden 9363 (500 Series only) <i>Local:</i> No cable provided
Cable Length:	20 ft. (6 m) provided (500 Series only)
Power Supply:	2-wire, loop powered
Voltage Supply (Min.):	8.5 VDC
Voltage Supply (Max.):	35 VDC
Input Options:	Hall Effect, Reed Switch, Open Collector or Low Level Sine Wave
Mounting:	Pipe or wall
Operating Temperature:	+32° F to +140° F (0° C to +60° C)
Frequency Input:	
Low Level Coil (LLC):	0.25 - 1000 Hz
High Level Low Freq.:	0.25 - 150 Hz
High Level High Freq.:	0.25 - 1000 Hz
Optically Isolated HLLF:	w/2500 V optical isolation
Optically Isolated HLHF:	w/2500 V optical isolation
Enclosure Rating:	NEMA 4X / IP55
Shipping Weight:	<i>Remote:</i> 2.0 lbs. (.90 kg) <i>Local:</i> 1.1 lbs. (.5 kg)

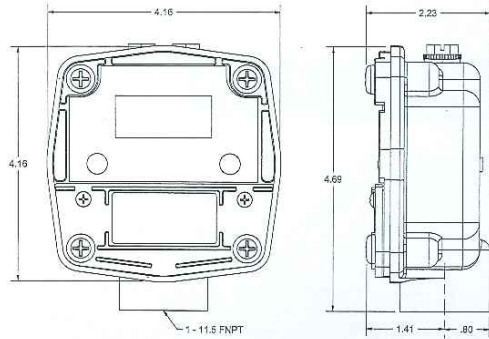
ACCURACY: ±0.1% READING

Features and Benefits:

- ✓ Provides communication with process control equipment.
- ✓ Works with G Series, G2 Turbine Meters, OM and DP Meters.
- ✓ Now available with Lockout feature.
- ✓ Microprocessor-based electronics have extremely low power requirements.
- ✓ Easy to set 4-20 mA endpoints under actual flow conditions.
- ✓ A signal conditioner with industry standard current loop output.
- ✓ Easily mounted on pipe or wall.

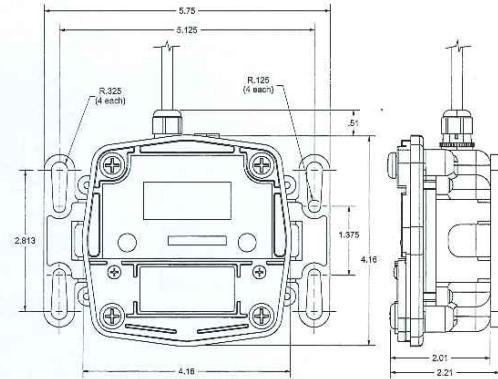
Electronic Choice - Local & Remote (Dimensions can vary by model.)

Local Model (510 Series)



Length inches (mm)	Height inches (mm)	Width inches (mm)
2.23 (57)	4.69 (119)	4.16 (106)

Remote Model (500 Series)












Length* inches (mm)	Height † inches (mm)	Width* inches (mm)
2.21 (56)	4.67 (119)	5.75 (146)

* Includes Mounting Bracket
† Includes Strain Relief

At Great Plains Industries, we've been building rugged, reliable, liquid flowmeters for over 35 years. The GPI Industrial Meter family includes a full line of Precision and Industrial Turbine meters plus Oval Gear meters in various materials, sizes and fitting options.

We design products to meet the needs of our customers. This includes maintaining appropriate, industry standard approvals. Approvals vary by product line and may be dependent on meter application.

The Approval symbol is listed under product specifications on individual product pages. If no approval mark is found, check the chart to the right. For details about specific "Approvals" refer to the chart.

<p>3-A</p>	<p>3-A Sanitary Standards, Inc. "Flowmeters for Milk and Milk Products, Number 28-03" for GSCPS Models and L Option Meters.</p>
<p>ATEX </p>	<p>Ex II 1 G Per 94/9/EC.</p>
<p></p>	<p>Product reviewed for EMC Directive 2004/108/EC. Includes: Euro Norms 61000-6-2 (2005) and 61000-6-3 (2007) on A1 and G2 Series Meters. Note: For Oval Gear Meters, the CE Approval is applied when meter is part of a system.</p>
<p></p>	<p>Factory Mutual Approved Intrinsically Safe for Class I, II, III, Division 1, All Groups. Nonincendive for Class I, II, III, Division 2 Groups A, B, C, D, F, G.</p>
<p></p>	<p>Factory Mutual Approved Class 1, Div. 1, Group D (01A31GM Only)</p>
<p></p>	<p>Factory Mutual Approved Intrinsically safe for Class I & II, Div. 1, Groups A, B, C, D, E, F & G, T6 Ta=-40° C to 60° C hazardous locations, and for use in Class I, Zone 0 as Ex is IIC T6 Ta=-40° C to 60° C.</p>
<p></p>	<p>Federal Communication Commission Industry Canada Approval Class B; digital service, part 15 of FCC Rules.</p>
<p></p>	<p>Ex ia IIC T6 Ta=60° C</p>
<p>IP44/IP54/IP66</p>	<p>Ingress Protection Code IP44 (Greater than 1 mm and splashed water); IP54 (Dust protected and splashed water); IP66 (Dust-tight and heavy seas).</p>
<p>IP/NEMA</p>	<p>Pulse versions of Oval Gear Meters have enclosure ratings that vary from IP54 / NEMA 13 to IP66 / NEMA 16 depending on the application.</p>
<p>NEMA 4</p>	<p>NEMA Requirements: Enclosure constructed for indoor or outdoor use to provide a degree of protection to personnel against incidental contact with the enclosed equipment. Protection against falling dirt, rain, sleet, snow, windblown dust, splashing or hose directed water that will be undamaged by the external formation of ice on the enclosure. <i>GPI products are tested to NEMA requirements.</i></p>
<p></p>	<p>Restriction of Hazardous Substances Directive 2002/95/EC and 2011/65/EU</p>
<p></p>	<p>Indicates that the product was tested and has met the certification requirements for electrical, plumbing and/or mechanical products.</p>